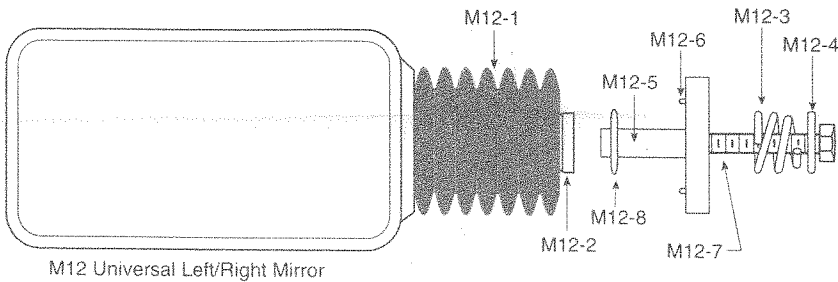


BOATING SAFETY INNOVATIONS



Thank you for your purchase of the CIPA PWC SPORT™ mirror. The instructions below will help you get the most benefit from your mirror.

- SAFE BOATING!



PARTS LIST

No.	DESCRIPTION	QTY.
M12 - 1	BLACK RUBBER SPORT BOOT	1
M12 - 2	MIRROR HEAD MOUNTING BASE	1
M12 - 3	STAINLESS TENSION SPRING	1
M12 - 4	STAINLESS WASHER	1
M12 - 5	MOUNTING PLATE	1
M12 - 6	MOUNTING STUDS	1
M12 - 7	STAINLESS PHILLIPS HEX HEAD SCREW	1
M12 - 8	WHITE NYLON MOUNTING WASHER	1

Mounting Instructions for CIPA PWC SPORT Mirrors™

1 Positioning Your PWC Sport Mirrors

While sitting on your PWC, take your new PWC Sport Mirror and experiment with different mounting positions on the cowling forward of and below the handlebars. The ideal mounting position is a matter of personal preference. However, the closer the mirror is to you on the cowling, the better. Try low versus high position.

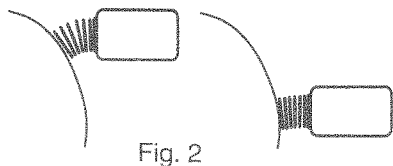


Fig. 2

2 Marking Position for Holes

Once you have determined the best mounting position on the right side, mark the position for the hole. For optimum rear view it is best to use two (right/left) PWC Sport Mirrors. In order to achieve identical mounting position on the left side you must make the following measurements:

- A** From the marked position to the top edge of the cowling.

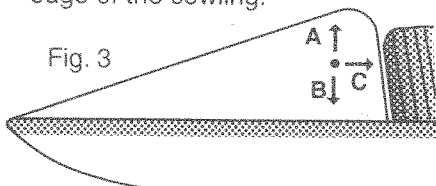


Fig. 3

- B** From the marked position to the bottom edge of the cowling.
- C** From the marked position to the rear of the cowling.

CAUTION: Before you drill the holes be sure there are no obstructions on the underside of the cowling. Also, fiberglass may splinter - DRILL CAREFULLY!

3 Drilling The Holes

Start the hole with a small drill bit, working up to the 1/4" drill bit size. DRILL SLOWLY. Once the hole is 1/4" take a rat tail file and smooth both outer and inner (inside cowling) edges. Actual shaft size: 5/16".

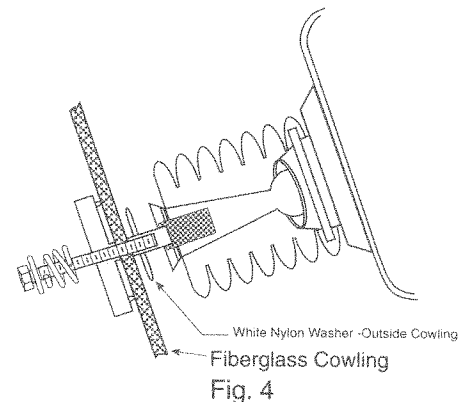


Fig. 4

4 Mounting the Mirrors

- A** Remove the stainless steel screw holding the mounting plate to the mirror head mounting base. Insert the mounting plate shaft through the drilled hole from inside the cowling.

NOTE: M12-5 mounting plate can be shaped to fit inside cowlings that have contours or obstructions that will not allow the full sized plate to be installed.

- B** Run a bead of silicone around the mounting plate shaft within the drilled hole from the outside of the cowling. This insures a watertight and secure fit of your new PWC SPORT MIRRORS.

- C** From the outside of the cowling place the white nylon washer (M12-8) and mirror head mounting base onto the mounting plate shaft. From the inside of the cowling insert the stainless Phillips/hex-screw with the washer and tension spring in place into the mounting plate and mirror head mounting base and tighten. (See fig. 4)

USING YOUR PWC SPORT MIRRORS

Objects in the mirrors are closer than they appear. Practice getting used to this difference in distance so you can better judge distances in the mirror. To help keep water off your mirrors, try Rain-X®.

WARRANTY

CIPA • USA warrants your PWC Sport Mirror to be free from defects in material and workmanship for a period of one year from date of purchase. During the warranty period products found to be defective will be repaired or replaced at no charge. The M12 must be returned, transportation prepaid, with proof of date of purchase to CIPA • USA, Customer Service Department, 3350 Griswold, Port Huron, MI 48060. M12 mirrors found to be defective will be repaired or replaced and returned to the purchaser with transportation charges prepaid by CIPA.