

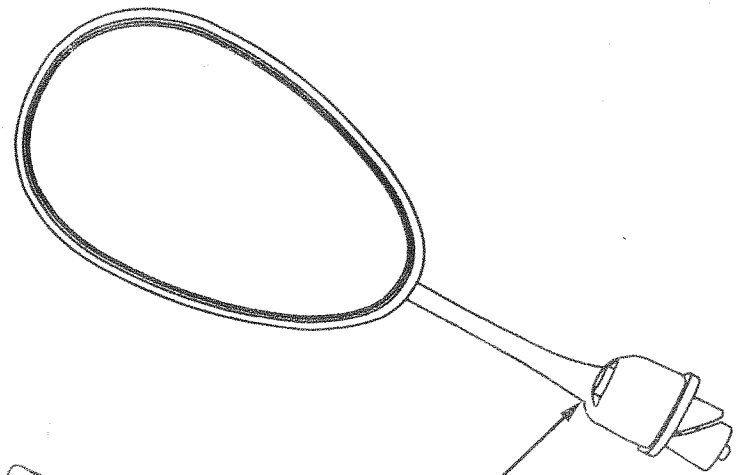


BAR-END ATV MIRROR INSTALLATION INSTRUCTIONS CIPA PART #11132, 11134

INSTALLATION

Using a 3/16" Hex Wrench, loosen installation bolt and slide knob of Bar-End ATV Mirror into exposed end of handlebar.

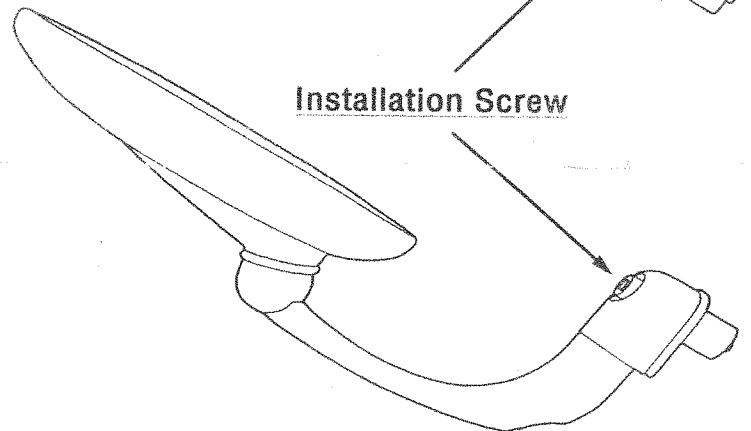
Tighten installation bolt of Bar-End ATV Mirror until a tight fit is achieved. Bar-End ATV Mirror should be snug into handlebar end at this time.



ADJUSTMENT

Using a Phillips Head Screwdriver, loosen adjustment screw. Adjust Bar-End ATV Mirror to desired position to give rider best rearview visibility.

Tighten adjustment screw on Bar-End ATV Mirror.



NOTE TO USERS

Due to the wide variety of ATV and UTV vehicles available and varieties in handlebar diameters and thicknesses, correct installation of this product on your vehicle may not be possible.

